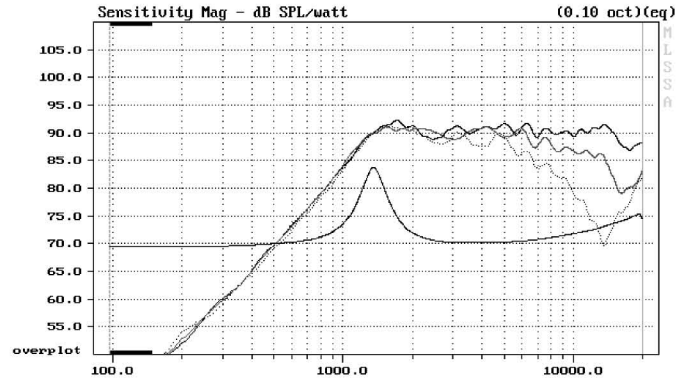
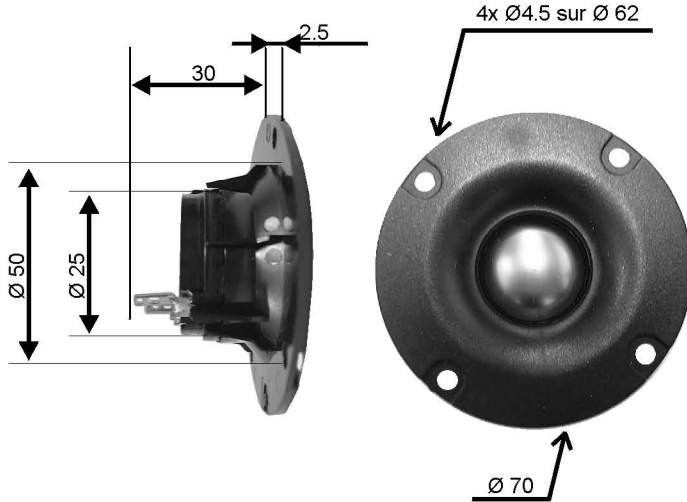
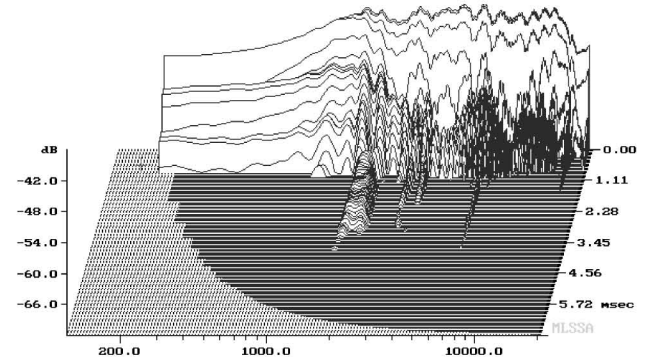


High energy neodymium magnet  
Compact and round light design  
Ferrofluid cooled voice coil



Nominal impedance . . . . . 8 ohms	Voice coil diam. . . . . 25 mm
Resonance . . . . . - Hz	Voice coil length . . . . . 1.6 mm
Power handling (IEC) . . . . . 60 W	Former . . . . . aluminium
Sensitivity (2.83V/1m) . . . . . 91.0 dB	Layer(s) . . . . . 2

Resistance (DC) . . . . . - ohms	Cone material . . . . . titanium
Inductance . . . . . - mH	Chassis . . . . . polymer
Xmax . . . . . ± 0.05 mm	Total mass . . . . . 54 gr



Compact overmoulded magnet system  
Inherently shielded - Smooth response face plate profile